

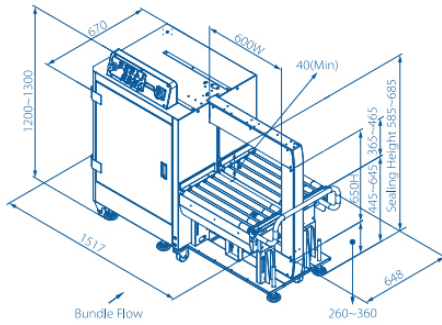


www.atpkg.com



AT PACKAGING

SALES  SERVICE



TP-702YA



TP-702YA

TP-702YA is a high-speed fully automatic side-seal strapping machine. It can be put into a wide range of applications, such as household appliances, furniture, tile industries, logistics, etc. Inheriting all the advantages from TP-702, it is ideal for high capacity and efficiency automated lines.

STANDARD FEATURES INCLUDE:

- Robust and compact strapping head
- High strapping speed up to 35 packages per minute
- Control panel with LCD display
- Free access to strap guides (patents registered)
- Downward tension force
- Up and down stream interlock
- Inner strap dispenser design
- Adjustable table height between 445mm – 645mm

OPTIONS:

- Light tower with low strap sensor (triple lamp)
- Small Package
- Siemens PLC control
- Energy saving transit with auto sleep mode

MORE OPTIONS:

- Dual press bar



- Side pusher

